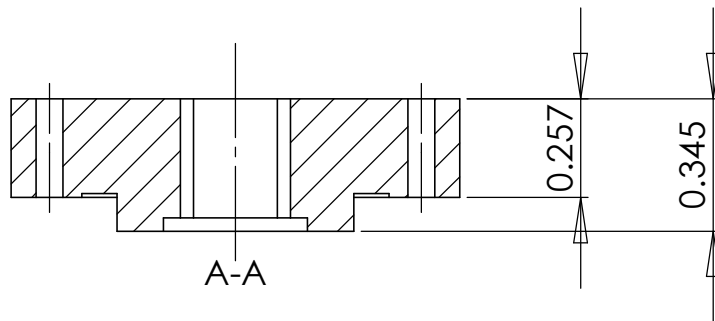
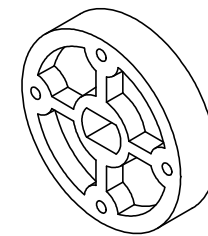


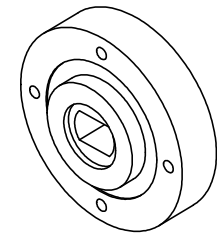
Rear View



A-A




Front 3/4 View



Rear 3/4 View

Rev. Date Revision Details

--	--	--

DIMENSIONS ARE IN INCHES TOLERANCES: FRACTIONAL $\pm 1/16"$ ANGULAR: MACH $\pm$ BEND $\pm$ TWO PLACE DECIMAL $\pm 0.02$ THREE PLACE DECIMAL $\pm 0.005$	DRAWN	DMH	DATE	Sep 13 2015	 <b>Solarbotics Ltd.</b> 201 - 35th Avenue N.E. Calgary, Alberta, Canada T2E 2K5 Ph: (403) 232-6268 Fax: (403) 226-3741
	CHECKED				
	ENG APPR.				
	MFG APPR.				
MATERIAL	PRINTED	1/21/2015			
Plastic	PROPRIETARY AND CONFIDENTIAL				
-	THE INFORMATION CONTAINED IN THIS DRAWING IS THE SOLE PROPERTY OF SOLARBOTICS. ANY REPRODUCTION IN PART OR AS A WHOLE WITHOUT THE WRITTEN PERMISSION OF SOLARBOTICS IS PROHIBITED.				
DO NOT SCALE DRAWING	SIZE	A	DWG. NO.	GMW	REV.
	SCALE: 2:1	WEIGHT:			SHEET 2 / 2